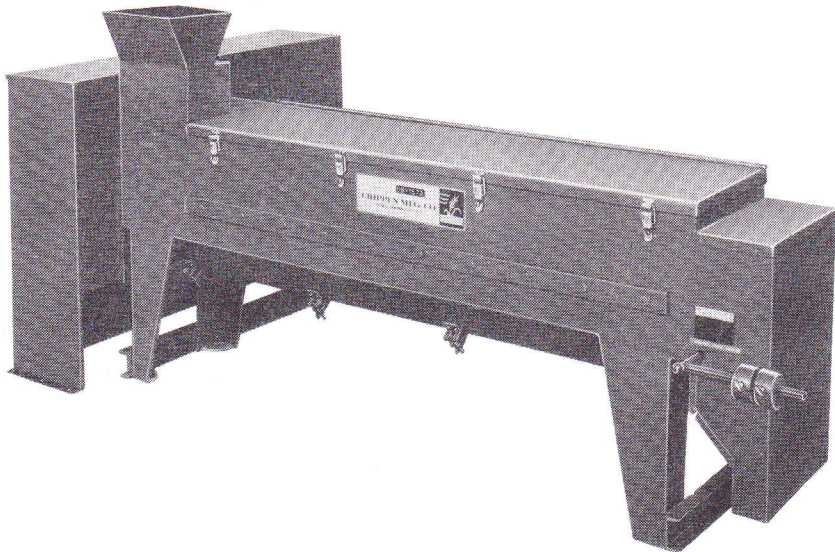


CRIPPEN



DEBEARDERS



MODEL 1572

- Increase test weight
- Improve appearance
Break up clusters
- Remove awns, hulls, beards
- Polish & aspirate

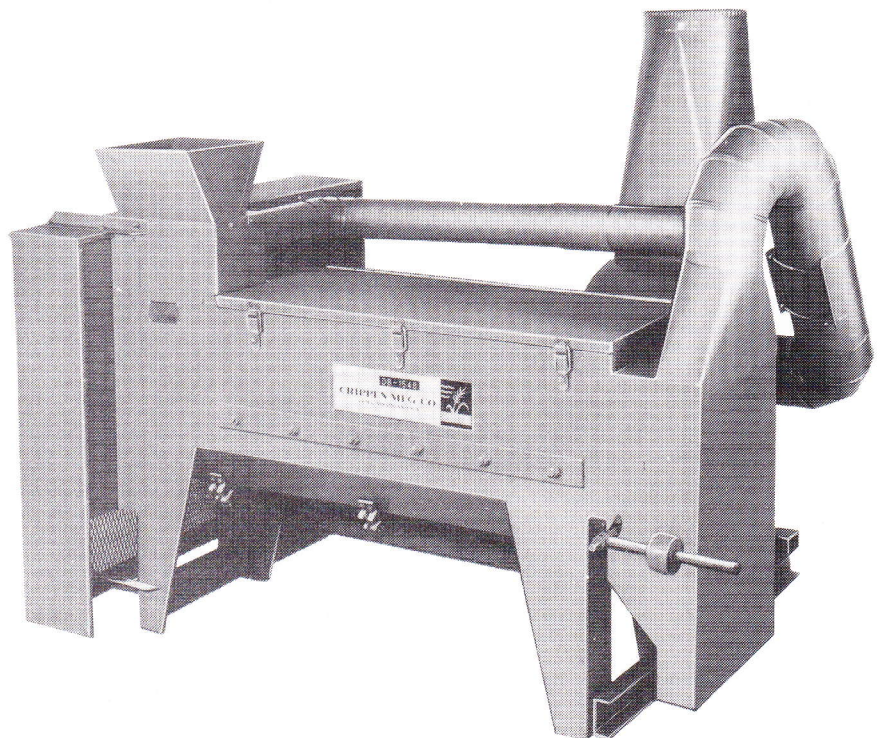
Use for:

- Oats
- Barley
- Flax Balls
- Grass Seed
- Wheat

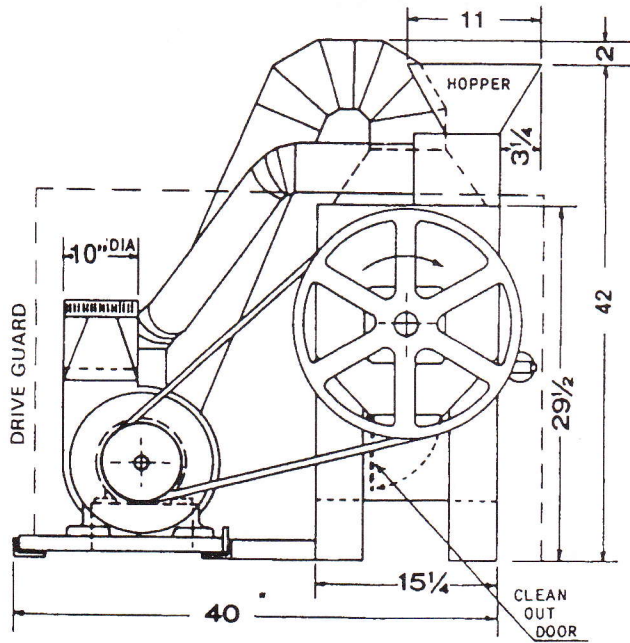
MODEL 1548

With Aspirator

- Rugged, heavy gauge welded steel body
- Heavy duty bearings
- Specially designed aspirator lifts loosened material and other light trash from the seed as it discharges from the body
- Hinged top and cleanout bottom provide 100% cleanout between lots

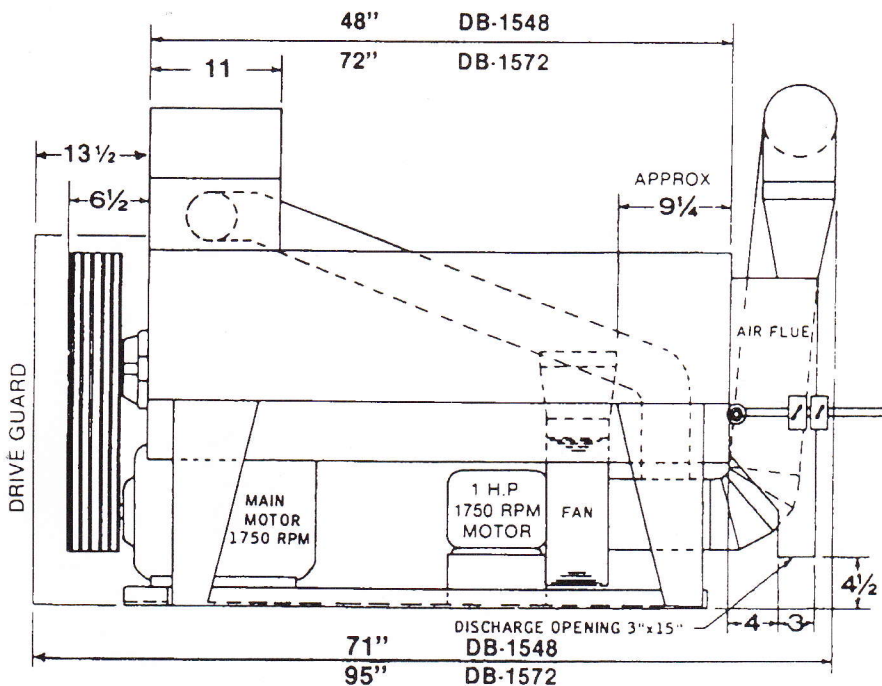


FRONT END VIEW FACING MAIN DRIVE



*MAY VARY DEPENDING ON MOTOR SPECS

RIGHT SIDE VIEW



NOTE: CONSULT FACTORY FOR DETAILED FLOOR PLAN

DIMENSIONS

• Horsepower recommended

- Main motor
 - DB-1548-20
 - DB-1572-30

Horsepower may vary depending on seed being processed

• Aspirator motor

- 1 HP - 1750 RPM

• Air adjustment

- Provided thru bleeder sleeves on each pipe

• Degree of agitation within body

- Controlled by pressure put on the discharge door by adjusting sliding weights

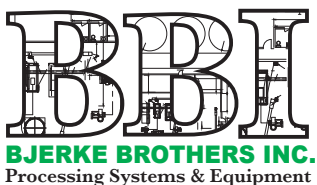
• Capacity

- Dependent on the amount of agitation required to obtain the desired results and the condition of the seed

• Approximate crated weight

- DB-1548 - 775 LBS.
- DB-1572 - 925 LBS.

Including aspirator, but less motors



P.O. BOX 152
1311 162ND Ave. NE
Buxton, ND 58218
P (701) 847-3125
F (701) 847-2157
www.bjerkebrothersinc.com



UNIT 8 – 851 Lagimodiere Blvd.
Winnipeg, Manitoba
Canada R2J 3K4
P (204) 925-6141
F (204) 925-6144
www.crippennorthlandsuperior.com