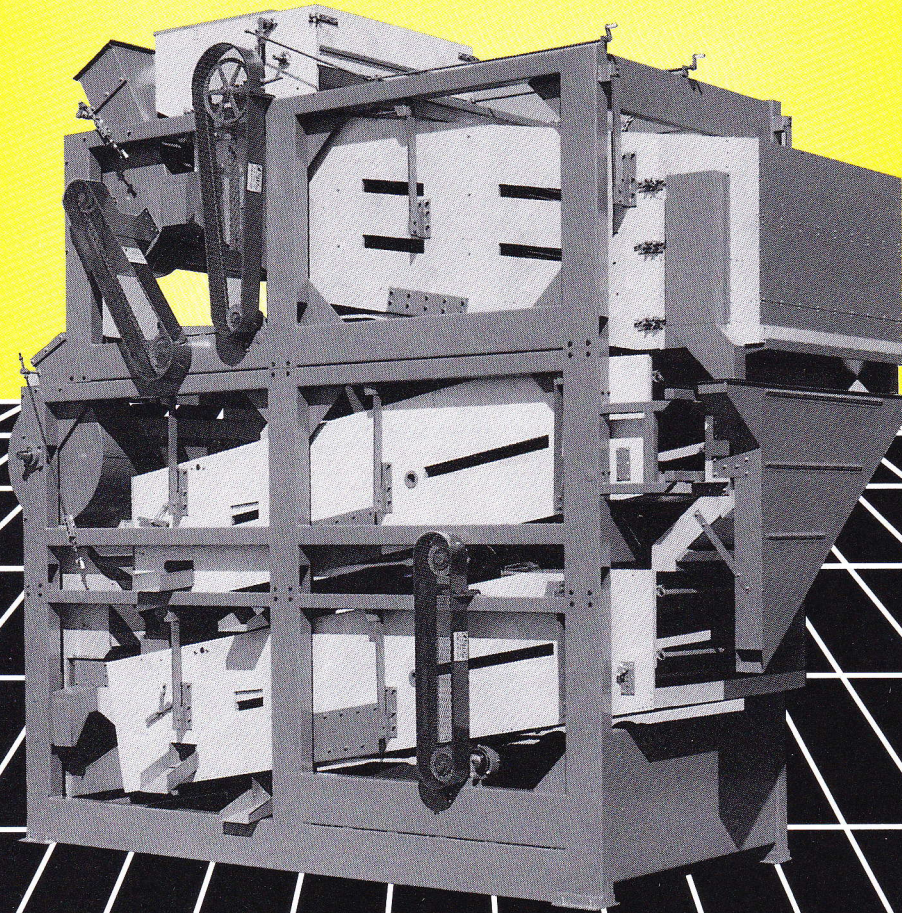


THE OMNI SERIES



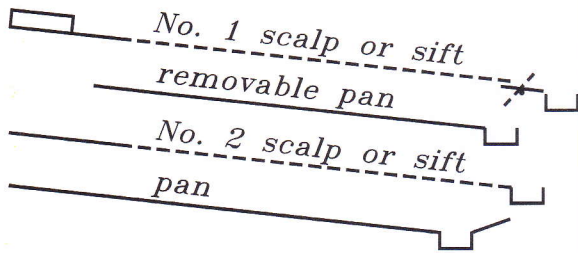
Omni 788

FEATURING

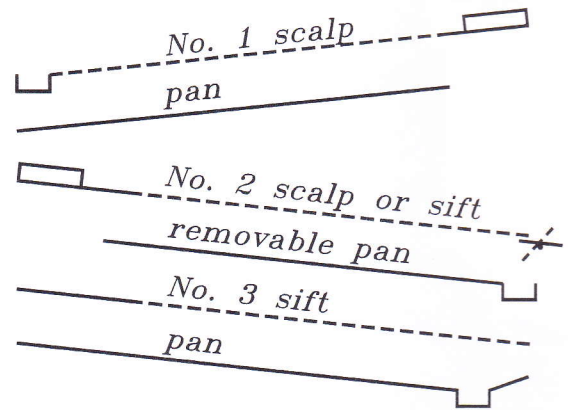
- Adjustable Screen Pitch, 6-10 Degrees
- Exclusive "Over-the-Top" Roll Feed Hopper
- Low Maintenance Ball Tray Screen Cleaning System
- Adjustable Speed Screen Shake
- Multi-Flow Screen Configurations, Built In
- Independent Air Separations
- U.S. Standard Components and Drives
- All Spouts 100% Self-Cleaning, No Augers
- U.S. Standard Components and Drives
- All Screens Interchangeable Throughout Cleaner
- Heavy Duty Tubular Steel Frames
- High Grade Bearings; Self Aligning, Anti-friction, Dustproof
- Laminated Hardwood Wood Components
- Designed and Built in the U.S.A.
- Highest Quality American Workmanship - A Crippen Standard
- Screens and Replacement Parts Always in Stock @ Factory for Prompt Delivery

The Leader In Air/S

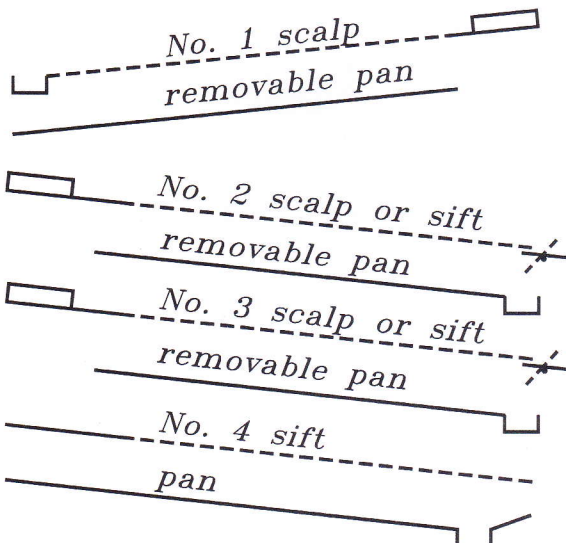
OMNI 288



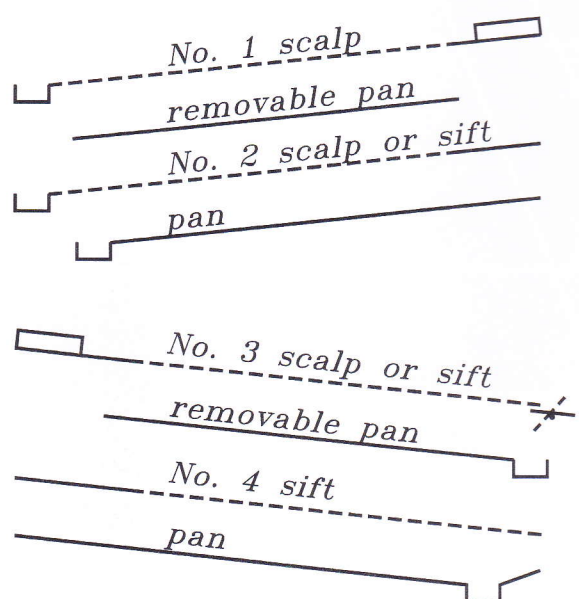
OMNI 388



OMNI 488



OMNI/PRO 488



Screen Innovation And Tec

* *Most Precise Air Separation in the Industry*

Powerful fans with enough air volume for the toughest applications. Independently adjustable air volume control on each air system. This unique system allows operator to easily and accurately calibrate air systems using only the amount of air necessary for a precise separation. Crippen air systems provide a much cleaner working environment around the machines due to the total available air volume and efficiency of the air systems. Minimize your good product loss with the accuracy and efficiency of the proven Crippen air system.

* *Pioneer of the Independent Ball Tray Screen Cleaning System*

Patented ball tray screen cleaning system that allows screen removal of ball trays. Unique ball tray design features intercrimped wire retainer that does not have ledges for product hang up.

* *Screen Flow Configuration*

Crippen's versatile screen flow configurations provide many cleaning options. Our counter-flow screen configuration and flow splitting prior to reaching the screens allow maximum screening efficiency due to reduced product depths and 100% utilization of screen area. **The Omni Series flow configuration allows for separate parallel scalping screens at a 7 degree pitch, and separate parallel sifting screens with an adjustable range from 6 degrees for precision cleaning to 10 degrees for high capacity pre-cleaning.** Our field test results have proven that these screen pitches maximize both scalping and sifting efficiency. Crippen offers the widest range of flow patterns available in the industry. Our wide range of available flow patterns and screen area ensure a perfect fit to your application, rather than forcing you to match your application to a machine.

* *Adjustable Speed Screen Shake*

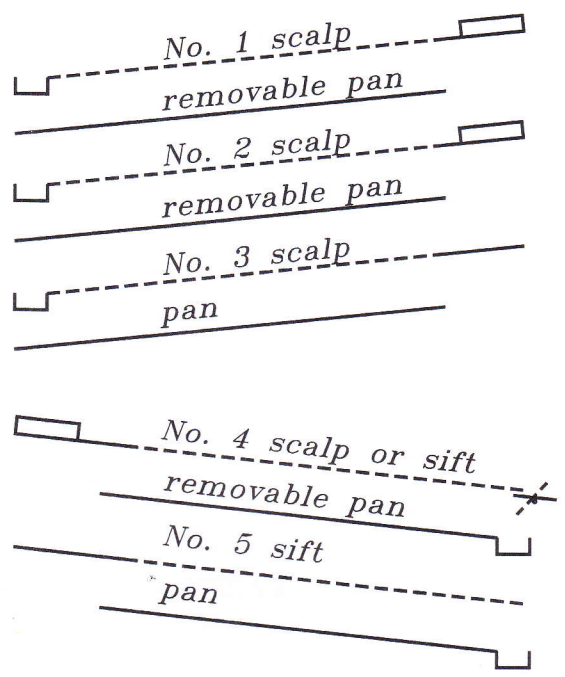
Because we feel strongly about the ability to control product flow and screen residence time, adjustable screen shake is a standard feature on every Crippen machine.

* *Feed Hopper*

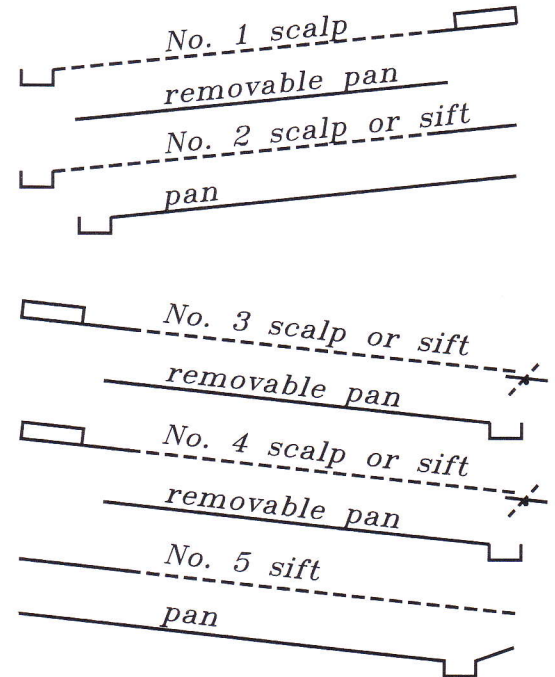
Proven, Over-the-Roll feed hopper prevents mechanical damage by eliminating pinch points. The exclusive, staggered feedroll provides a uniform flow rate into the air systems without pulsating, even in the toughest applications.

Technology Since 1924

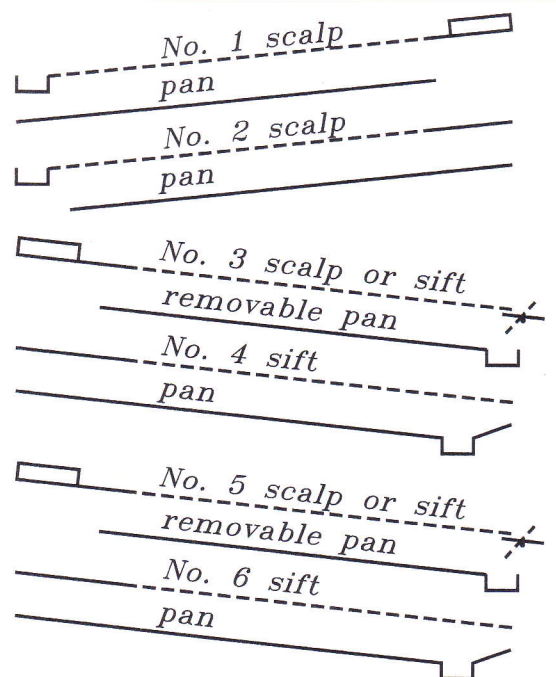
OMNI 588 3+2



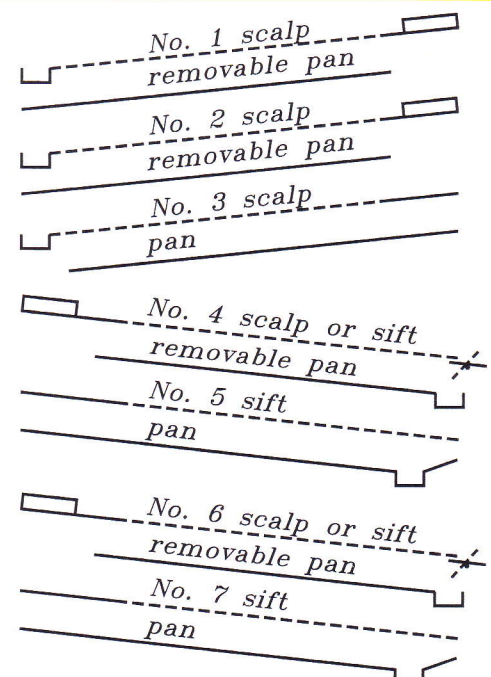
OMNI/PRO 588



OMNI 688



OMNI 788





CRIPPEN

CRIPPEN OMNI SERIES SPECIFICATIONS

MODEL NUMBER	NO. OF SCREENS	SCREEN SIZE (IN / MM)	TOTAL AREA (FT2 / M2)	Average Capacity (BPH/MTPH) PRECISION CLEANING	PRE-CLEANING
Omni 288	2	(54"x88" / 1372x2235)	66 / 6.13	125 / 3.41	1000 / 27.3
Omni 388	3	(54"x88" / 1372x2235)	99 / 9.20	330 / 9.00	2000 / 54.6
Omni 488	4	(54"x88" / 1372x2235)	132 / 12.26	495 / 13.5	3000 / 81.8
Omni Pro 488	4	(54"x88" / 1372x2235)	132 / 12.26	415 / 11.3	2000 / 54.6
Omni Pro 588	5	(54"x88" / 1372x2235)	165 / 15.33	575 / 15.7	3000 / 81.8
Omni 588 3+2	5	(54"x88" / 1372x2235)	198 / 18.39	415 / 11.3	2000 / 54.6
Omni 688	6	(54"x88" / 1372x2235)	198 / 18.39	660 / 18.0	4000 / 109.1
Omni 788	7	(54"x88" / 1372x2235)	231 / 21.46	660 / 18.0	4000 / 109.1

MODEL NUMBER	POWER (HP/kw)	# OF FANS	AIR VOLUME (CFM/CMM)	LENGTH (IN/MM)	WIDTH (IN/MM)	HEIGHT (IN/MM)
Omni 288	7.5	1	4500 / 127.5	180 / 4572	88 / 2235	94 / 2388
Omni 388	10	2	9000 / 254.9	172 / 4369	88 / 2235	105 / 2667
Omni 488	10	2	9000 / 254.9	171 / 4343	88 / 2235	121 / 3073
Omni Pro 488	10	2	9000 / 254.9	175 / 4445	88 / 2235	128 / 3251
Omni Pro 588	10	2	9000 / 254.9	175 / 4445	88 / 2235	138 / 3505
Omni 588 3+2	10	2	9000 / 254.9	176 / 4470	88 / 2235	136 / 3454
Omni 688	15	2	9000 / 254.9	196 / 4978	88 / 2235	159 / 4039
Omni 788	15	2	9000 / 254.9	196 / 4978	88 / 2235	177 / 4496

APPROXIMATE SHIPPING WEIGHTS

Machine	Omni 288	Omni 388	Omni 488	Omni Pro 488	Omni Pro 588	Omni 588 3+2	Omni 688	Omni 788
LBS	5,800#	6,300#	7,800#	8,200#	8,750#	8,400#	13,500#	14,000#
KG	2631	2858	3538	3720	3969	3810	6124	6350

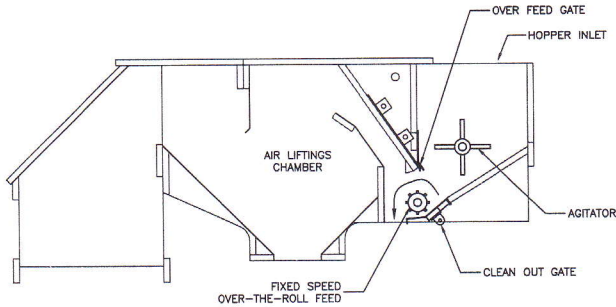
- Capacities indicate the approximate cleaning capacity based on wheat. Capacities will vary depending on impurities to be removed and the desired quality of the finished product.

CRIPPEN

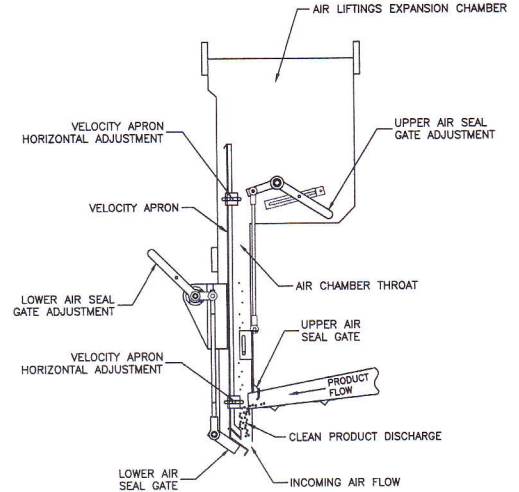
CRIPPEN OMNI SERIES OPTIONS



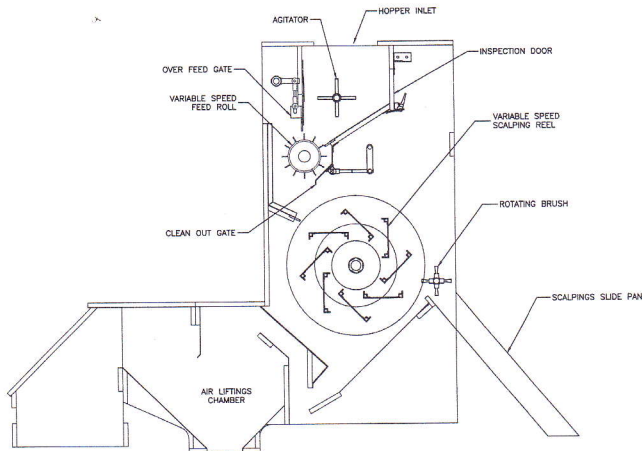
STANDARD TYPE "A" FEED HOPPER



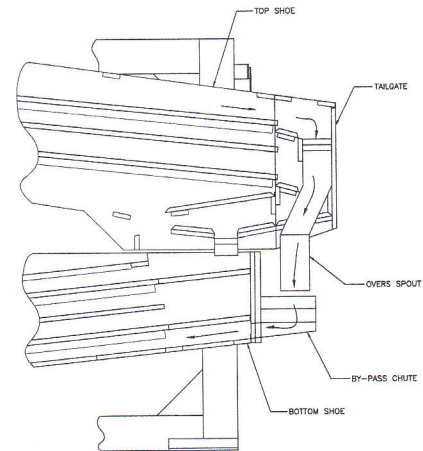
"Z-MAX" POST AIR CONTROL SYSTEM



REEL/SCALP FEED HOPPER

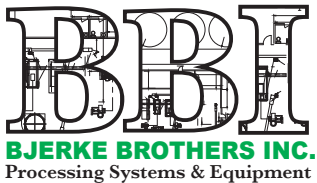


OPTIONAL SCALPING BY-PASS



OMNI SERIES OPTIONS

- Third Air System, (Some Models)
- "Z-Max" Post Air Control System
- High Static Pressure Fans
- Scalper By-Pass
- Electronic Variable Speed Eccentric Drives
- Guardian Control Monitoring System
- Reel/Scalp Feed Hopper
- Grading Spouts
- Cleaner Support Stands
- Electronic Variable Speed Feed Roll
- Hinged Tailgates
- Discard Spouting Package
- Urethane Wear Liners
- PLC Controlled Drives
- Dust Control Accessories



P.O. BOX 152
1311 162ND Ave. NE
Buxton, ND 58218
P (701) 847-3125
F (701) 847-2157
www.bjerkebrothersinc.com



UNIT 8 - 851 Lagimodiere Blvd.
Winnipeg, Manitoba
Canada R2J 3K4
P (204) 925-6141
F (204) 925-6144
www.crippennorthlandsuperior.com