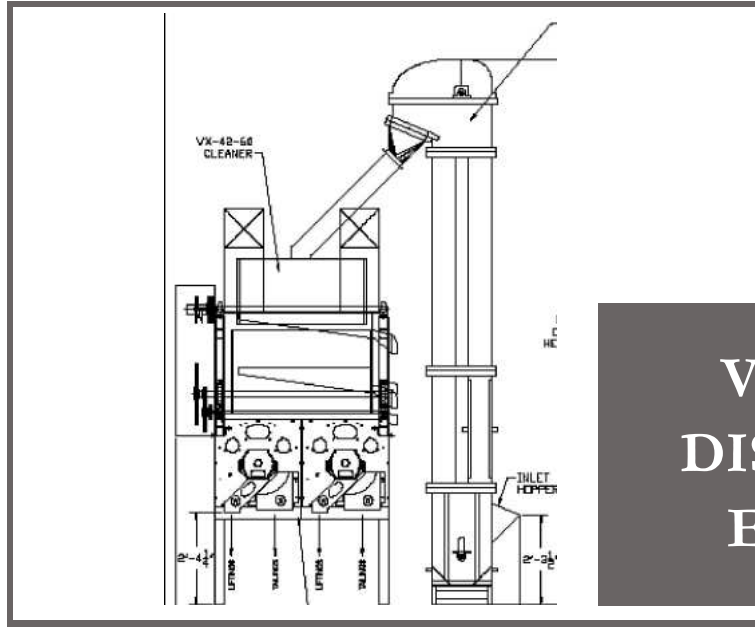
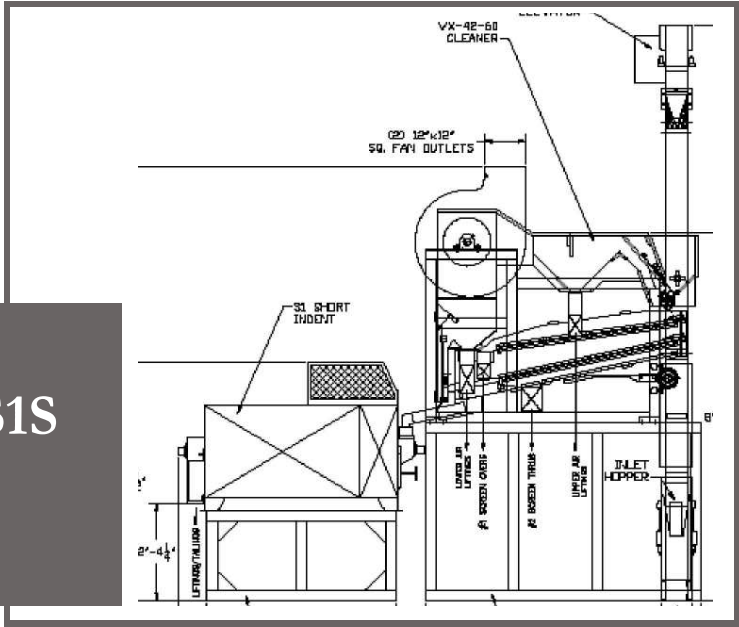




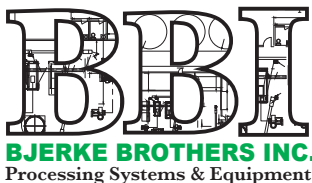
# CRIPPEN VX-4260 2S-1-S SEED CLEANING SYSTEM



VX-4260 / 2S1S  
DISCHARGE  
END VIEW



VX-4260 / 2S1S  
SIDE VIEW



P.O. BOX 152  
1311 162ND Ave. NE  
Buxton, ND 58218  
P (701) 847-3125  
F (701) 847-2157  
[www.bjerkebrothersinc.com](http://www.bjerkebrothersinc.com)



UNIT 8 – 851 Lagimodiere Blvd.  
Winnipeg, Manitoba  
Canada R2J 3K4  
P (204) 925-6141  
F (204) 925-6144  
[www.crippennorthlandsuperior.com](http://www.crippennorthlandsuperior.com)



VX-35460

One Air Shown Here

## VX-4260 portion of the Seed Cleaning System

You will be pleasantly surprised with cleaning efficiency of this compact unit.

Adjustable feed gates allows close control of the seed-flow on the screens, for maximum screening efficiency.

The inspection holes allow you to see the seed going over the bottom screen, so you can see if it is moving too fast too slow.

The precision suction type air separation let you hook the fan to a dust collector for cleaner working environments.

The Series VX cleaner will clean seeds form the smallest vegetable seeds, grasses, and small legumes to corn and beans of all kinds.

We carry over 200 screen sizes in stock.

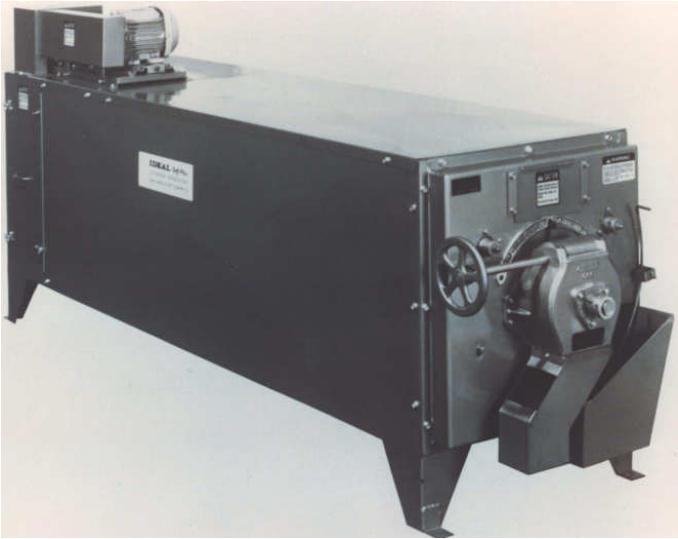
Since there are multiple sheets of screen material fastened to each frame, we can furnish a screen with a combination of different sizes or shape openings, such as rounds, triangles, and slots. A complete range of wire mesh sizes is also in stock.

### Machine details:

**TWO FULL SIZE SCREENS — TOP SCREEN FOR SCALPING,  
BOTTOM SCREEN FOR SIFTING**

- BOTH SCREENS 62" LONG & 42" WIDE
- PRECISION AIR SEPARATION: SEED GOES THROUGH THE AIR SEPARATION (BEFORE & AFTER THE SEED HAS BEEN SCREENED)
- ALL STEEL FRAME
- ALL SPOUTS SELF- CLEANING
- BALL TRAY CLEANERS
- ROLL-FEED HOPPER

# 2S1S PORTION OF SEED CLEANING SYSTEM



**Crippen** offers new products that exceed the needs of the ever changing grain, seed and processing industries in North America and abroad. *Indent* cylinder separators have been used by farmers and the grain, seed and processing industries worldwide since 1920. Operating on the basis of length separation, indent cylinders remove seeds and other foreign material from a variety of different grains.

The S1 or 2S1S is the result of a many years of research and development by Crippen Technicians. This flexible, high performance length separator utilizes a 23" diameter cylinder, case hardened for optimum life, to obtain high capacity separation. Available in a number of different indent sizes, the S1-QC cylinder machine can clean a variety of different grains, removing large or small foreign material as desired.

A wide range of simple operating adjustments allow for variation in the products to be separated by the S1-QC Indent Cylinder Separators. The separating edge (a) can be raised or lowered, allowing the receiving trough (b) to catch desired liftings as they drop free from the cylinder indents (c). Adjusting the separating edge is accomplished by turning the hand wheel, which causes the pointer on the indicator dial to move. Finally, the inspection door allows observation of the cylinder separation process.

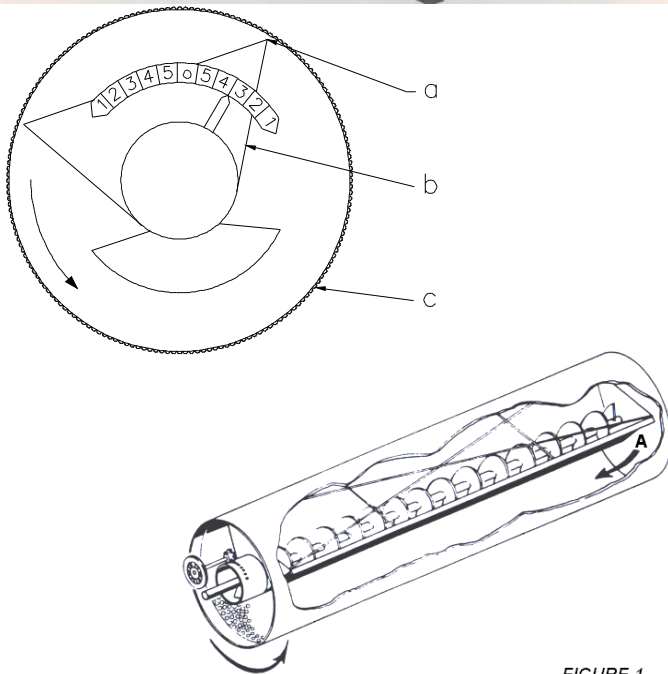
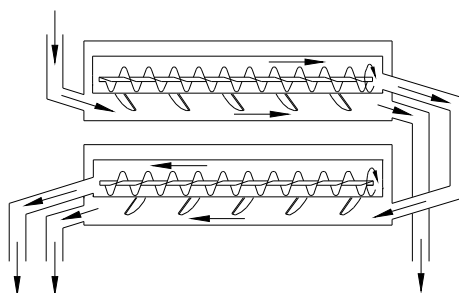
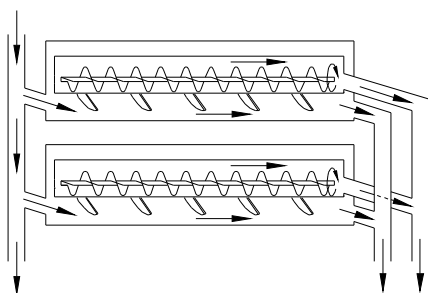


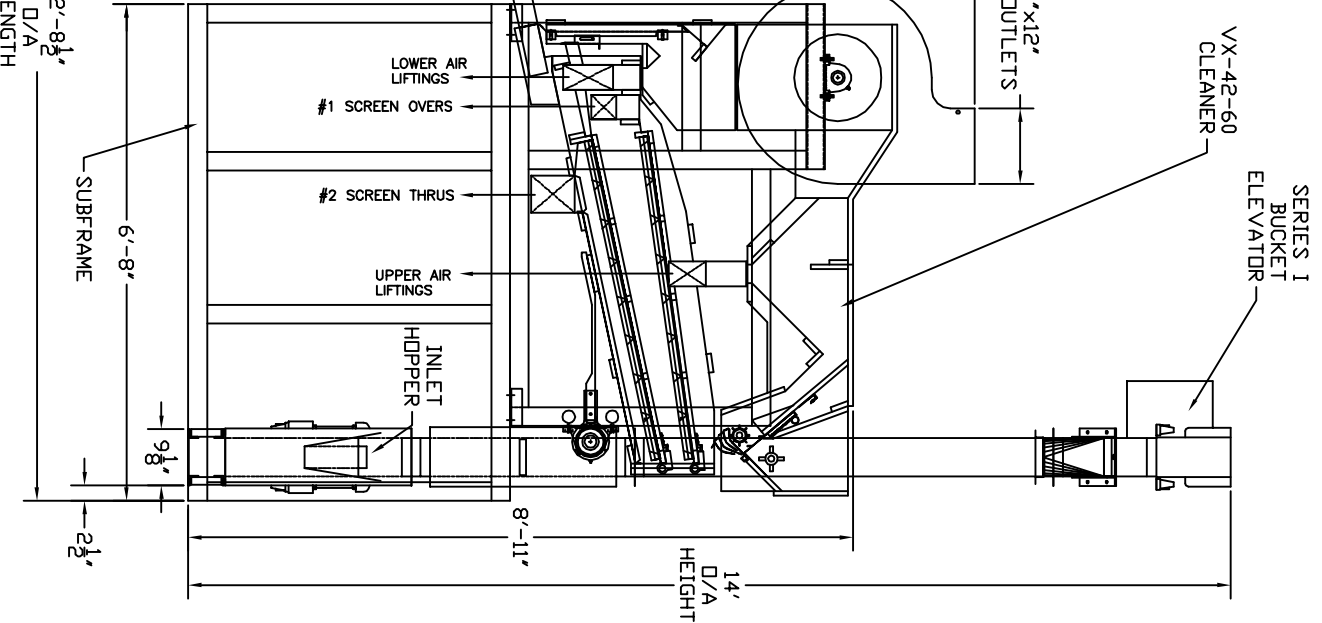
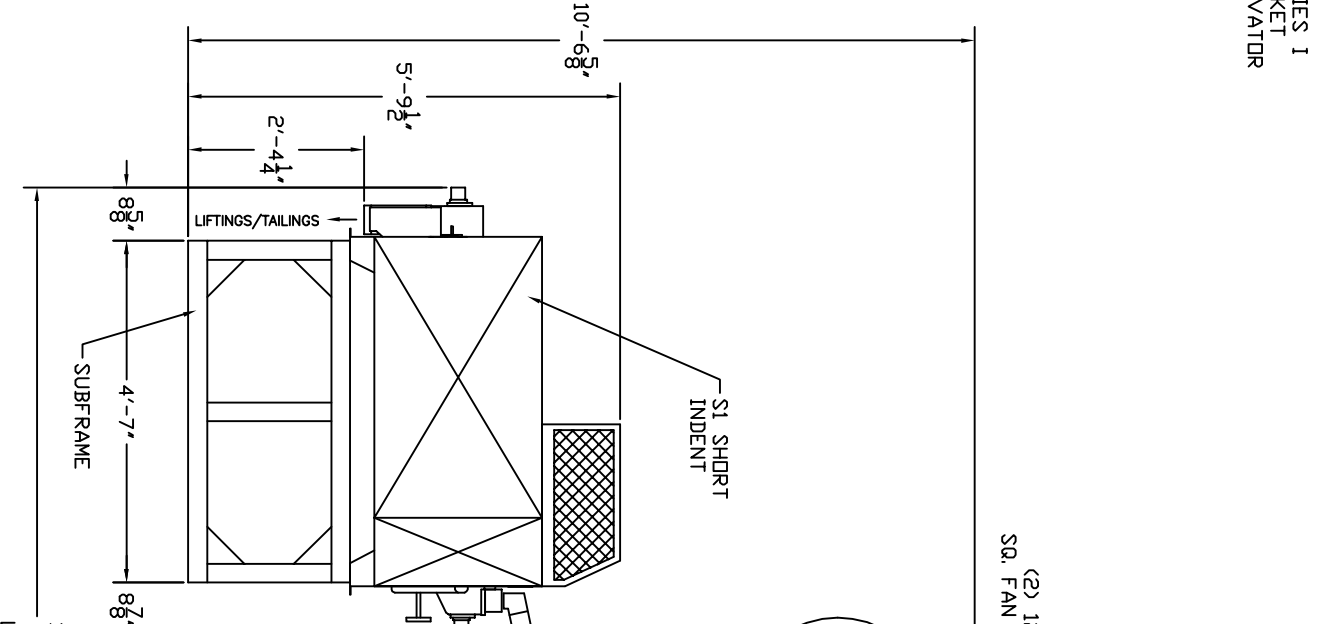
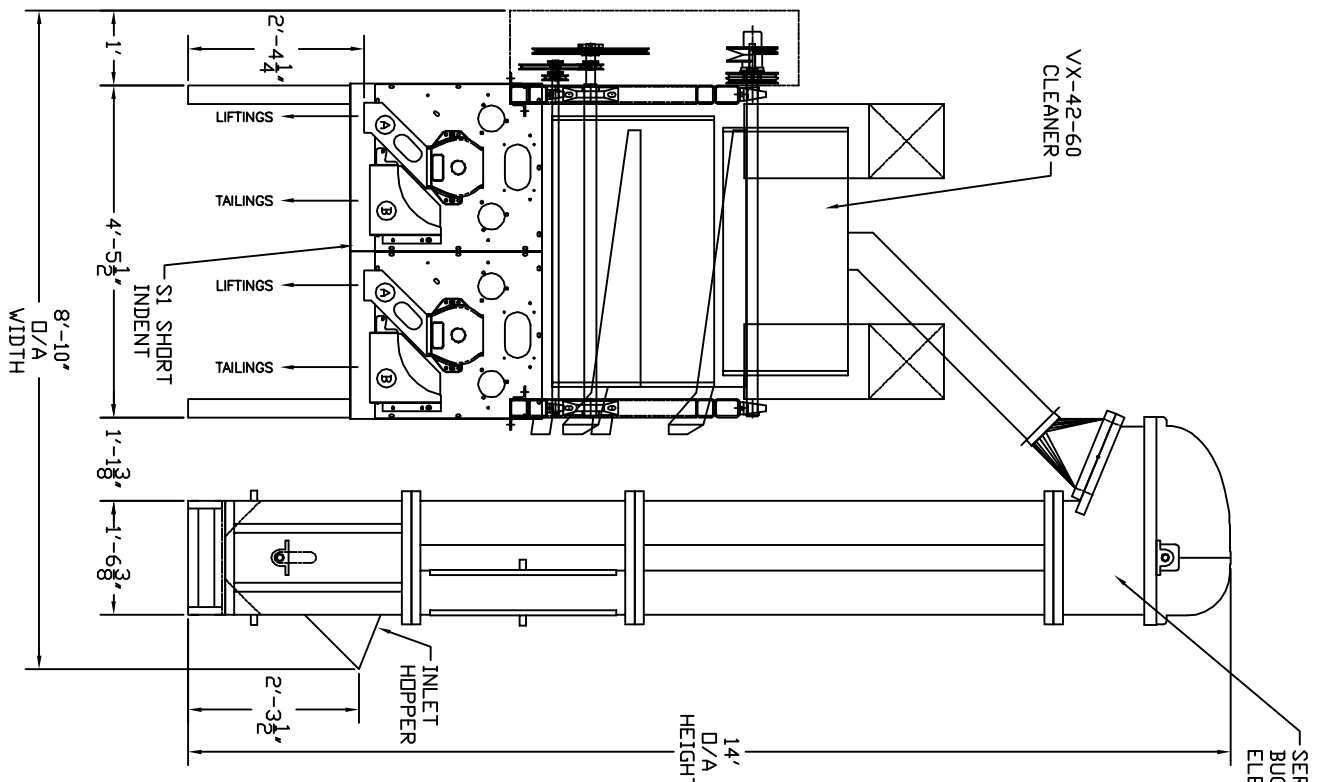
FIGURE 1

*Choice of Various Flow Options to  
Suit All Separation Requirements*

## PARALLEL FLOW

## SERIES FLOW





REVISIONS	
REV	DESCRIPTION
A	
B	
C	
D	
E	

DESCRIPTION

DATE

REV. BY

MACHINE:

VX-42-60 / S1 SHORT

DESCRIPTION:

CLEANING SYSTEM  
ILLUSTRATION

DRAWN BY:

JS

DWG NO.:

VX4260-S1SHORT

REV.:

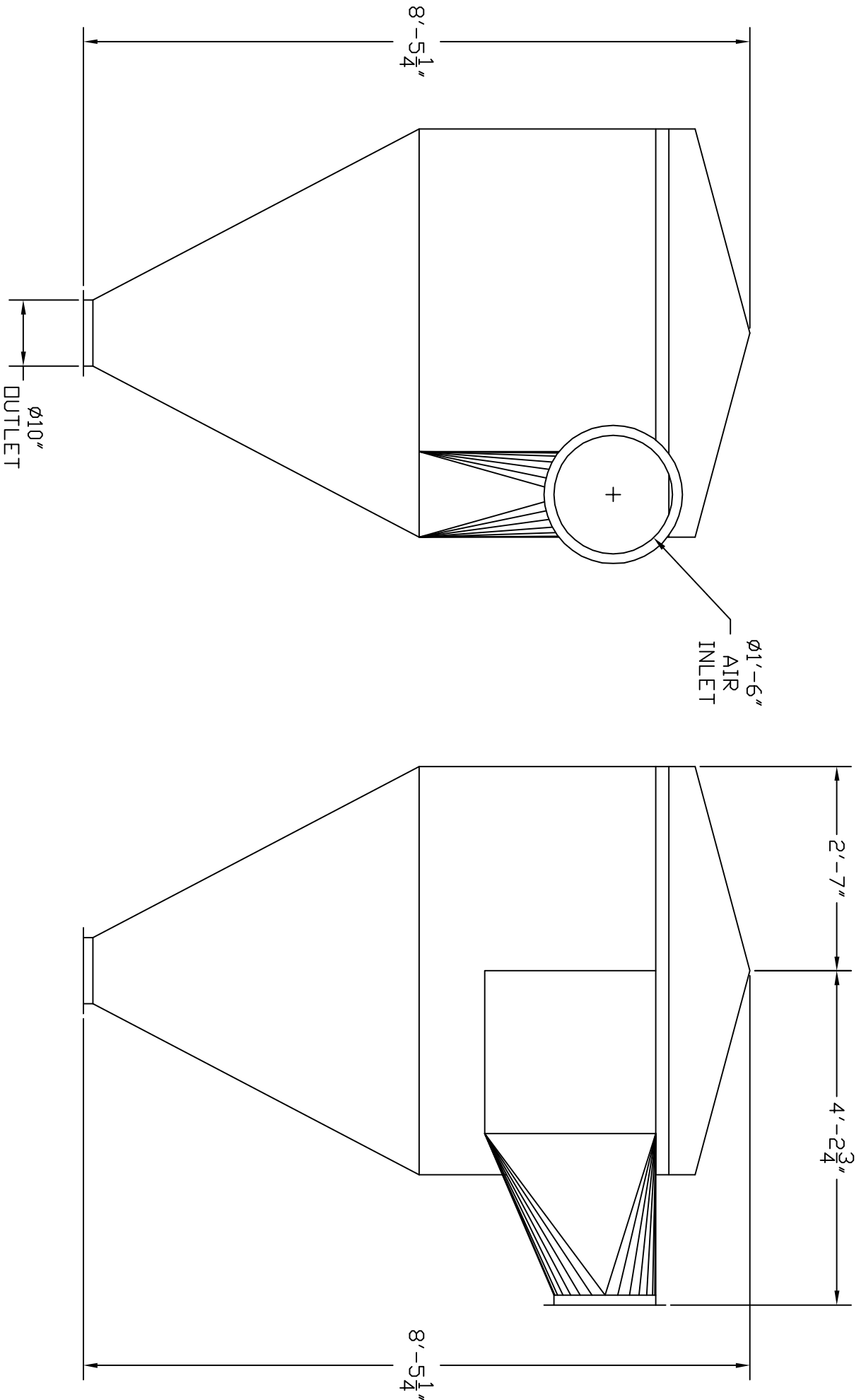
\*

DATE: 8/6/2008

SCALE: NTS



**Crippen**  
Manufacturing Company



REVISIONS

REV	DESCRIPTION	DATE	REV. BY
A			
B			
C			
D			
E			

MACHINE:  $\phi 62"$  CYCLONE

*Crippen*  
Manufacturing Company

DESCRIPTION: OPTIONAL CYCLONE DETAIL

DRAWN BY: JS      DWG NO. CYCLONE      REV. \*

DATE: 8/6/2008      SCALE: NTS