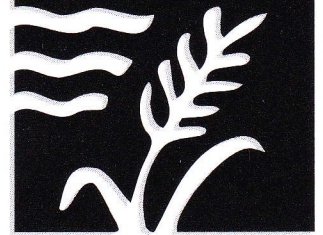
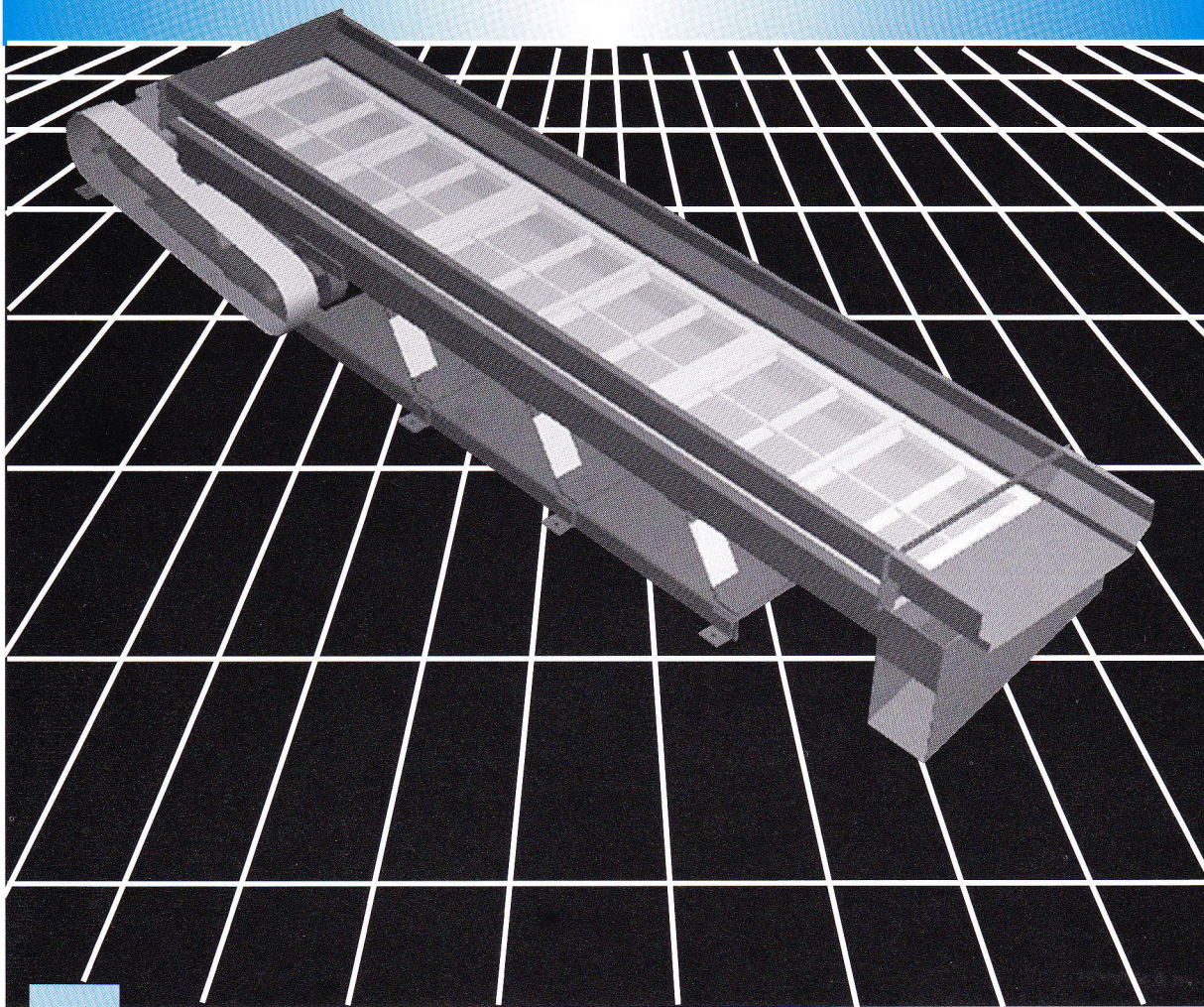


Vibratory Conveyors



CRIPPEN



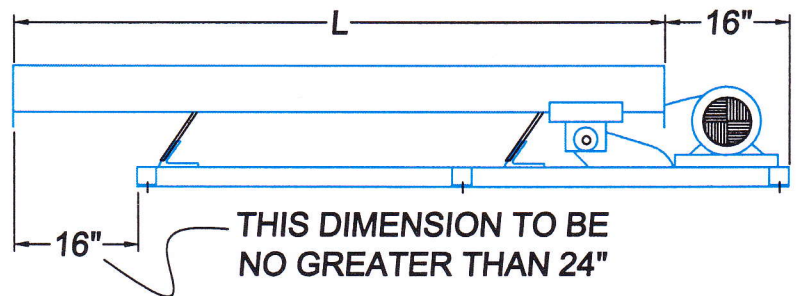
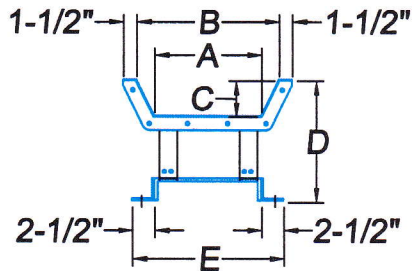
FEATURING

- HEAVY DUTY CONSTRUCTION •
- FLYWHEEL COUNTERBALANCING •

- VCHL "Low Profile" Series
- VCHM "High Capacity" Series
- SVC "Sifting" Series
- VC-540 Series

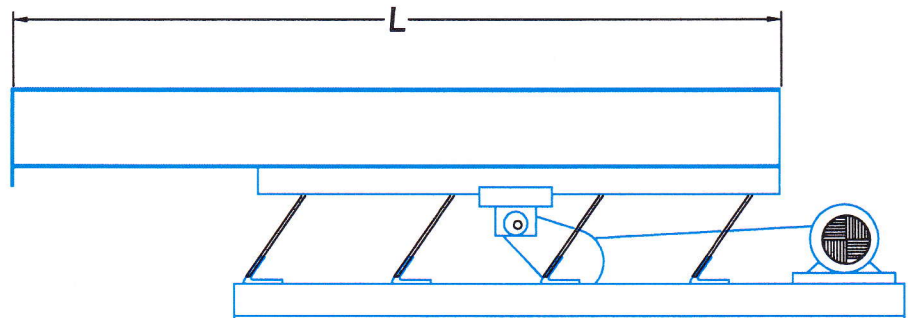
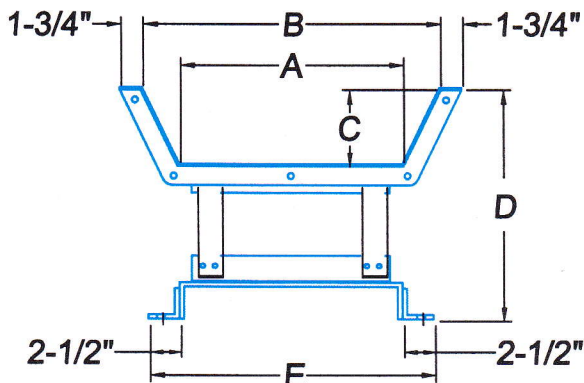
CRIPPEN "LOW-PROFILE" VIBRATORY CONVEYORS "VCHL" SERIES

Model #	Capacity	A	B	C	D	E	L=5'	L=10'	L=15'	L=20'	L=25'
VCHL-12/124	300 BPH	12"	12"	4"	14-1/8"	17"	1 HP	1 HP	1 HP	1-1/2 HP	1-1/2 HP
VCHL-12/126	450 BPH	12"	12"	6"	16-1/8"	17"	1 HP	1 HP	1 HP	1-1/2 HP	1-1/2 HP
VCHL-12/164	525 BPH	12"	16"	4"	14-1/8"	17"	1 HP	1 HP	1 HP	1-1/2 HP	1-1/2 HP
VCHL-12/184	375 BPH	12"	18"	4"	14-1/8"	17"	1 HP	1 HP	1 HP	1-1/2 HP	1-1/2 HP
VCHL-12/186	560 BPH	12"	18"	6"	16-1/8"	17"	1 HP	1 HP	1 HP	1-1/2 HP	1-1/2 HP
VCHL-18/184	450 BPH	18"	18"	4"	14-1/8"	23"	1 HP	1 HP	1 HP	1-1/2 HP	1-1/2 HP
VCHL-18/186	675 BPH	18"	18"	6"	16-1/8"	23"	1 HP	1 HP	1-1/2 HP	1-1/2 HP	2 HP
VCHL-18/224	500 BPH	18"	22"	4"	14-1/8"	23"	1 HP	1 HP	1 HP	1-1/2 HP	1-1/2 HP
VCHL-18/246	785 BPH	18"	24"	6"	16-1/8"	23"	1 HP	1 HP	1-1/2 HP	1-1/2 HP	2 HP



CRIPPEN "HIGH CAPACITY" VIBRATORY CONVEYORS "VCHM" SERIES

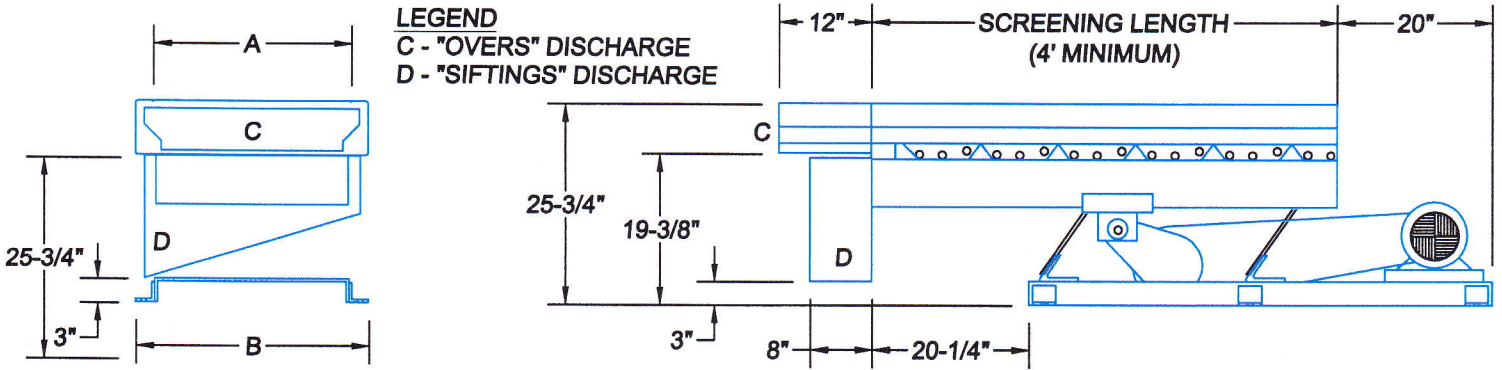
Model #	Capacity	A	B	C	D	E	L=5'	L=10'	L=15'	L=20'	L=25'
VCHM-18/186	1215 BPH	18"	18"	6"	18-3/4"	23"	1 HP	1-1/2 HP	1-1/2 HP	2 HP	2 HP
VCHM-18/189	1820 BPH	18"	18"	9"	21-3/4"	23"	1 HP	1-1/2 HP	1-1/2 HP	2 HP	2 HP
VCHM-18/246	1415 BPH	18"	24"	6"	18-3/4"	23"	1 HP	1-1/2 HP	1-1/2 HP	2 HP	2 HP
VCHM-18/279	2275 BPH	18"	27"	9"	21-3/4"	23"	1 HP	1-1/2 HP	2 HP	2 HP	3 HP
VCHM-24/246	1620 BPH	24"	24"	6"	18-3/4"	29"	1 HP	1-1/2 HP	2 HP	2 HP	2 HP
VCHM-24/249	2430 BPH	24"	24"	9"	21-3/4"	29"	1-1/2 HP	1-1/2 HP	2 HP	2 HP	3 HP
VCHM-24/306	1820 BPH	24"	30"	6"	18-3/4"	29"	1 HP	1-1/2 HP	2 HP	2 HP	2 HP
VCHM-24/339	2885 BPH	24"	33"	9"	21-3/4"	29"	1-1/2 HP	1-1/2 HP	2 HP	2 HP	3 HP
VCHM-30/306	2024 BPH	30"	30"	6"	18-3/4"	35"	1 HP	1-1/2 HP	2 HP	2 HP	3 HP
VCHM-30/309	3036 BPH	30"	30"	9"	21-3/4"	35"	1-1/2 HP	1-1/2 HP	2 HP	3 HP	3 HP
VCHM-36/366	2423 BPH	36"	36"	6"	18-3/4"	41"	1-1/2 HP	1-1/2 HP	2 HP	2 HP	3 HP
VCHM-36/369	3645 BPH	36"	36"	9"	21-3/4"	41"	1-1/2 HP	2 HP	2 HP	3 HP	3 HP



- Capacities are based on granular, free-flowing products @ 75% of maximum trough fill
- HP ratings are based on 48# per cubic foot material (60# per bushel)
- Consult factory for product densities greater than 48#/ft³
- Consult factory for pan lengths longer than 25'
- Available options include peaked covers, side discharge(s) and two or three-way split trough

CRIPPEN SIFTING VIBRATORY CONVEYORS "SVC" SERIES

Model #	Max. Capacity	Sifting Capacity	A	B	L=5'	L=10'	L=15'	L=20'	L=25'
SVC-12XX	810 BPH	10 BPH/ ft. of L	13-1/4"	17-3/4"	1 HP	1 HP	1-1/2 HP	2 HP	2 HP
SVC-18XX	1215 BPH	15 BPH/ ft. of L	19-1/4"	23-3/4"	1 HP	1-1/2 HP	2 HP	2 HP	3 HP
SVC-24XX	1620 BPH	20 BPH/ ft. of L	25-1/4"	29-3/4"	1-1/2 HP	1-1/2 HP	2 HP	3 HP	3 HP
SVC-30XX	2015 BPH	25 BPH/ ft. of L	31-1/4"	35-3/4"	1-1/2 HP	2 HP	2 HP	3 HP	5 HP
SVC-36XX	2430 BPH	30 BPH/ ft. of L	37-1/4"	41-3/4"	2 HP	2 HP	3 HP	5 HP	5 HP



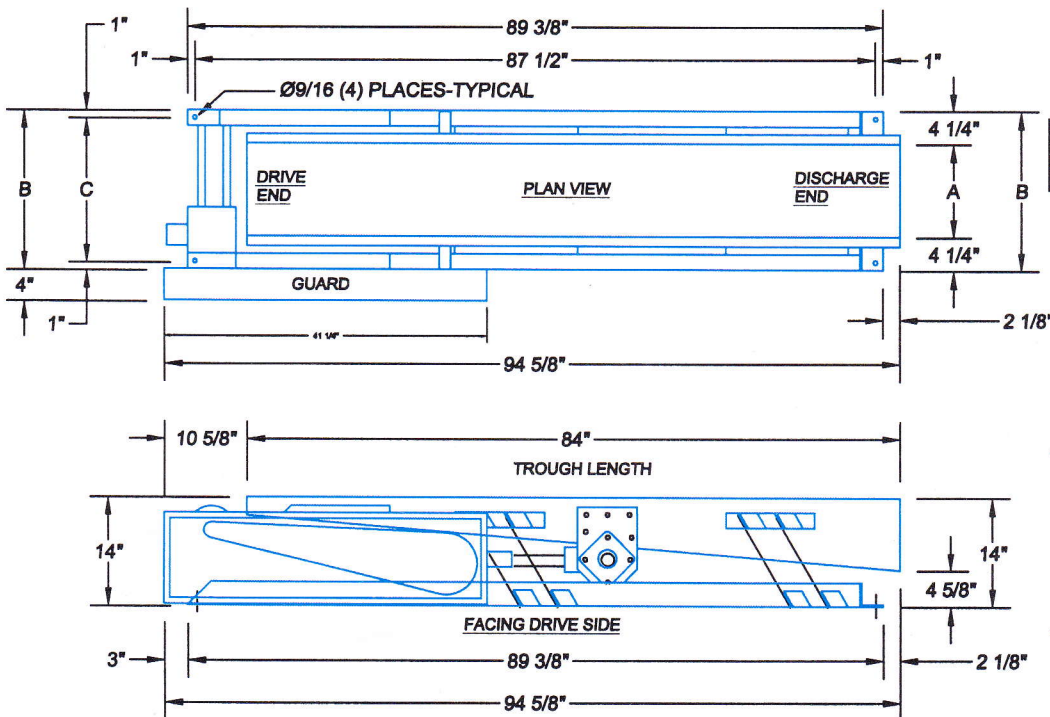
LEGEND
C - "OVERS" DISCHARGE
D - "SIFTINGS" DISCHARGE

- FULL-LENGTH SIFTING SCREEN W/SIFTINGS SIDE DISCHARGE SPOUT (LH OR RH)
- BALL TRAY SCREEN CLEANING SYSTEM AS STANDARD EQUIPMENT
- EASY TOP REMOVAL OF SIFTING SCREEN & BALL TRAY SCREEN CLEANING SYSTEM
- HEAVY DUTY 10 GA. STEEL LOWER PAN CONSTRUCTION
- HEAVY DUTY 14 GA. STEEL UPPER PAN CONSTRUCTION
- CONVEYING CAPACITY RANGE FROM 810 BPH TO 2430 BPH @ 75% PAN FILL
- FINE SIFTING CAPACITY RANGE FROM 10 BPH TO 30 BPH PER FOOT OF LENGTH
- TEFC 3 PHASE MOTOR W/MOTOR MOUNT, V-BELT DRIVE & DRIVE GUARD

- Maximum capacities are based on granular, free-flowing products @ 75% of maximum pan fill
- Fine sifting capacities are based on 10 bph/ ft² of screen area – actual capacities will depend upon initial product and desired finished product quality
- Standard drive is on left hand side when facing discharge
- HP ratings are based on 48# per cubic foot material (60# per bushel)
- Consult factory for product densities greater than 48#/ ft³
- Consult factory for pan lengths longer than 25'
- Available options include peaked covers, inlet hopper for conveyor cover and extra screens for the conveyor

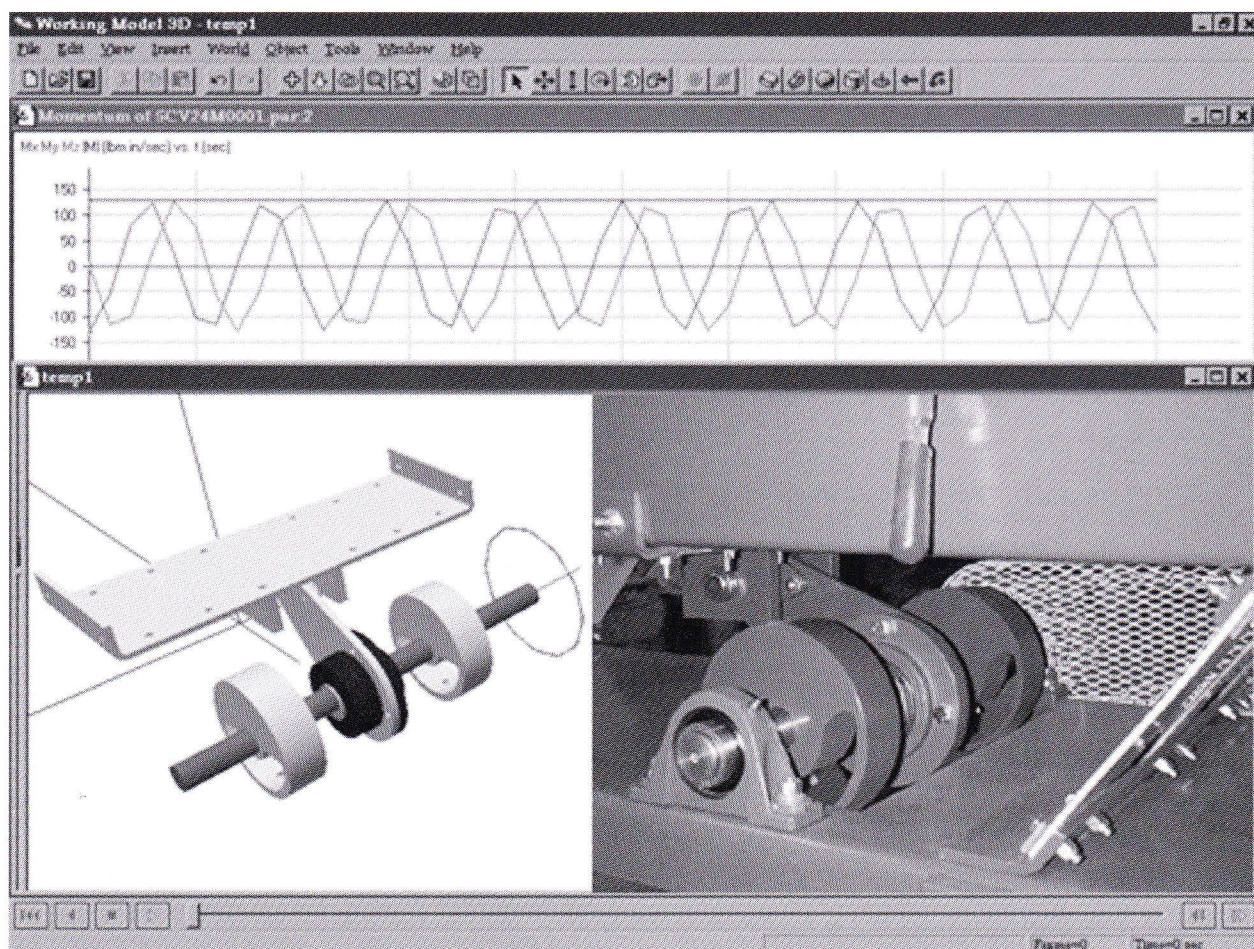


CRIPPEN MODEL "VC-540" VIBRATORY CONVEYOR SERIES



MODEL	A	B	C	D	HP	CAPACITY
VC540-10	10"	18-1/2"	16-1/2"	22-1/2"	1/2	500 BPH
VC540-12	12"	20-1/2"	18-1/2"	24-1/2"	1/2	600 BPH

**NOTE: DRIVE IS ON LEFT HAND SIDE OF UNIT WHEN FACING DISCHARGE AS STANDARD - SPECIFY IF DRIVE MUST BE ON OPPOSITE SIDE



COMPUTER ENGINEERED FLYWHEEL COUNTERBALANCING SYSTEM

Standard Features

- 7 ga. & 10 ga. formed troughs (11ga. on VC-540)
- Formed steel frame on VCHL, VCHM & SVC Series
- Heavy duty tubular steel frames on VC-540 Series
- Fiberglass leaf springs
- V-belt drives w/guards
- Heavy duty ball bearings
- Pan constructions available painted (standard Crippen blue), galvanized, stainless steel or FDA approved urethane coated

Available Options

- Trough flow dividers
- Side discharge spouts
- Covers
- Custom paint colors

Crippen Vibratory Conveyors –

Your choice for efficient and affordable horizontal conveying. Our vibratory conveyors are designed to gently handle your seed and grain at capacities as high as 3,600 BPH @ 75% trough fill. Customized sizes and configurations are available through cooperation with Crippen's engineering department to meet your exact conveying needs.